

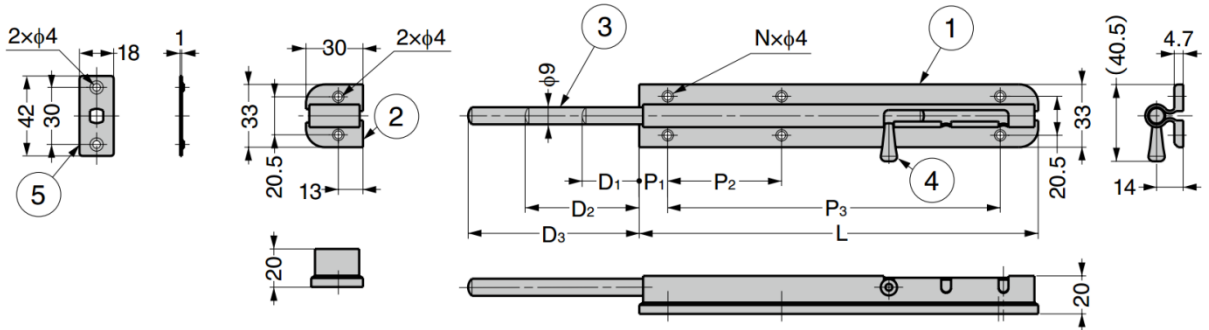
GBSS2/3 Spring Loaded Barrel Bolt

Features

- Extra sleeve for locking offers flexibility in application
- Knob springs back into sleeve to keep bolt in locked or unlocked position
- Can be installed vertically or horizontally
- Two counter plates included for different mountings

Parts Included

- Countersunk head wood screw 3.5×20 (SUS)



No.	Part Name	Material	Finish
①	Body	Stainless Steel (SUS304)	Satin
②	Strike		
③	Bar	Stainless Steel (SUS303)	-
④	Knob		
⑤	Counter Plate	Stainless Steel (SUS304)	Satin
-	Spring		

Part No.	L	P ₁	P ₂	P ₃	D ₁	D ₂	D ₃	N
GBSS2-90	90	13	-	60	21	42	-	4
GBSS2-150	150	15		115	30	60		90
GBSS3-240	240		60	205				